

## Graphite 5 Multi Fuel Stove with Log Store

Model GR905-H

### Construction Products Regulation Declaration of Performance (DoP)

Hi-Flame Fireplace (UK) Limited declare that this stove has been type tested and meets or exceeds all technical parameters needed to fulfil the requirements of the testing standard BS EN 13240 Tested during September 2010 by Kiwa GasTec (report number 6650).

### General Specification

Model Name	<b>Graphite 5 High</b>
Model Number	<b>GR905-H</b>
Overall Height	<b>717 mm</b>
Overall Width	<b>420 mm</b>
Overall Depth	<b>385 mm</b>

### Data from CE Test EN13240

#### Burning Wood Logs:

Nominal Heat Output	<b>4.9 kW</b>
Refuelling Interval	<b>51 minutes</b>
Efficiency (net)	<b>84.3%</b>
Mean CO Emission (at 13%)	<b>0.38</b>
Mean Flue Gas Temperature	<b>208°C</b>
Flue Gas Mass Flow	<b>3.3 g/s</b>

#### Burning Smokeless Fuel (Ancit):

Nominal Heat Output	<b>4.9 kW</b>
Refuelling Interval	<b>60 minutes</b>
Efficiency (net)	<b>71.4%</b>
Mean CO Emission (at 13%)	<b>0.13</b>
Mean Flue Gas Temperature	<b>311°C</b>
Flue Gas Mass Flow	<b>3.7 g/s</b>

### Minimum Distance to Combustibles

*We do not recommend the use of mantels made from combustible materials such as wood*

- CE EN13240 tested in the UK
- Defra Approved Appliance
- The GR905-H data is SEAI verified

Rear	<b>900 mm</b>
Sides	<b>700 mm</b>

### Non-combustible Hearths

At a nominal output of 4.9kW and when operated in accordance with Hi-Flame instructions this stove is suitable for use with a 12mm non-combustible hearth – subject to current Building Regs

### Fuel Requirements

#### Wood Logs:

Moisture content	<b>&lt;20%</b>
Maximum Log Length	<b>300 mm</b>
Maximum Fuel Load	<b>1.5 kg</b>

#### Mineral Fuel:

Hetas Approved Manufactured Smokeless Fuels See [www.hetas.co.uk](http://www.hetas.co.uk)  
Maximum Fuel Load **1.5 kg**

### Flue Requirements

Flue configuration	<b>top or rear</b>
Flue pipe diameter	<b>125 mm</b>
Height to centre of rear flue	<b>433 mm</b>
From centre of top flue to back	<b>142 mm</b>
Minimum flue height from base of stove	<b>4500 mm</b>
Minimum flue pressure	<b>12Pa</b>

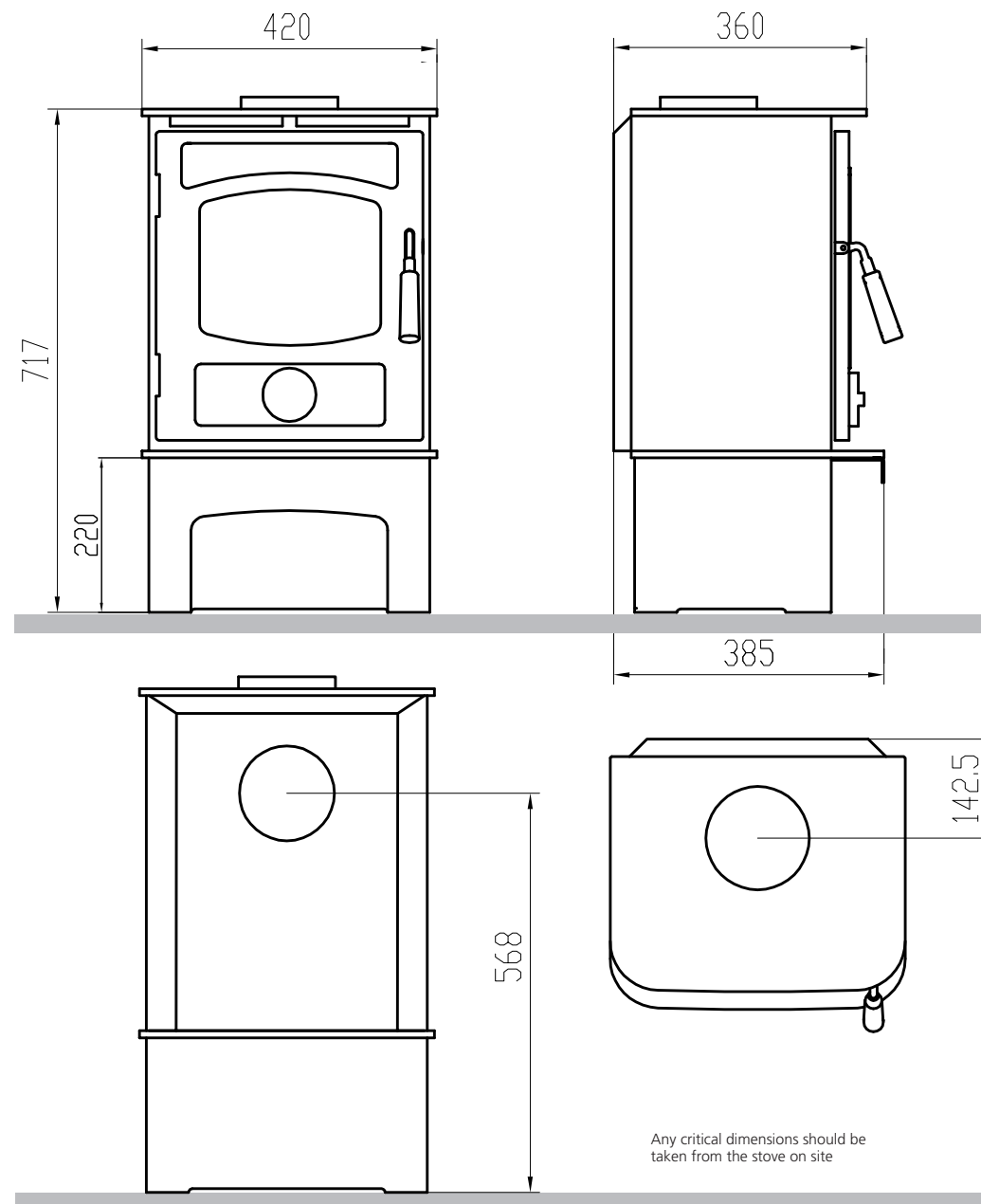
### Optional Direct Air Kit Available

Use subject to Building Regulations and appropriate approved spillage tests

- Hetas Approved Appliance



**hi-flame**  
MULTI FUEL STOVES



Any critical dimensions should be taken from the stove on site