



DK	Betjeningsvejledning
D	Befeuerungsanleitung
GB	User's manual
F	Mode d'emploi
N	Bruksanvisning
S	Användarhandbok
IT	Istruzioni per l'uso
NL	Bedieningshandleiding

Omega

EN

Contents

1. Introduction
2. Installation
3. Warranty
4. Supply of combustion air
5. Adjustment of chimney connection
6. Positioning of feet
7. Firing instructions
8. The Clean Air Act and Smoke Control Areas
9. Maintenance
10. Combustion issues
11. Cleaning
12. Spare parts overview

IMPORTANT INFORMATION

You must inform the local authorities when you install a wood-burning stove

This overall manual may contain instructions that are against national building regulations. Please refer to supplemental instructions or ask your local authorities for advice on the applicable building regulations. It is the responsibility of the owner of the place of installation to ensure compliance with applicable safety regulations and to have the installation checked by a qualified inspector. You must inform the chimney sweep of the installation as new sweeping requirements ensue.

The stove becomes very hot

When in use, certain parts of the stove may become very hot and cause burns on contact. Furthermore, you should pay attention to the strong heat radiation emitted through the door window. It may cause a fire if combustible materials are located within the specified safety distance. If the wood in the fire chamber is merely smoldering, this may lead to the explosive ignition of the flue gases and cause injury or damage to equipment.

Professional installation

This manual contains instructions on how to mount and install the wood-burning stove. In order to guarantee the function and safety of the stove, we recommend using a professional installer. Contact one of our dealers who will be happy to recommend a skilled installer.

Load-bearing floor/wall

Ensure that the carrying capacity of the floor/story partition is sufficient to carry the stove and the chimney.

Omega	114 kg.
Omega High	155 kg.
Omega Chef	169 kg.
Omega Core	214 kg.

Flue collar temperature

Flue collar temperature	349°
-------------------------	------

1. Introduction

Congratulations on your new wood-burning stove. Your stove has probably already been installed, and perhaps you have used it for the first time. To most of us, an operating manual is something we consult when everything else has failed - particularly if we have had a wood-burning stove for many years. Nonetheless, we hope that you will take the time to read this manual as you would use different wood-burning stove models differently. In order to fully enjoy your new stove, you should familiarize yourself with it; this is not difficult but merely requires a little patience.

2. Installation

Jydepejsen wood-burning stoves have been tested and approved by testing institutes in accordance with applicable law. Prior to final approval, the stoves are subjected to various fire technical tests. Your wood-burning stove has been tested with a top outlet. Birchwood with 12 - 20% humidity was used during the testing.

You should ensure that your stove is installed in accordance with applicable codes, regulations and safety distances for combustible material. All Jydepejsen dealers will be happy to tell you about the requirements applying to your specific stove and give you further instructions on its correct installation. Furthermore, your dealer / chimney sweep may tell you exactly which type of chimney you need.

All local provisions including provisions referring to national and European standards must be followed when the stove is installed.

You should ensure that sufficient combustion air is delivered to the stove, also with the simultaneous use of other heating or exhaustion devices. The insulation of contemporary homes is often so good that fresh air valves are necessary to supply fresh air from outside. If your home is fitted with fresh air grates, any blocking of these must be prevented.

Furthermore, you should check if the vermiculite plating is fitted correctly in the fire chamber. Please refer to the illustration in this manual for positioning instructions.

The floor

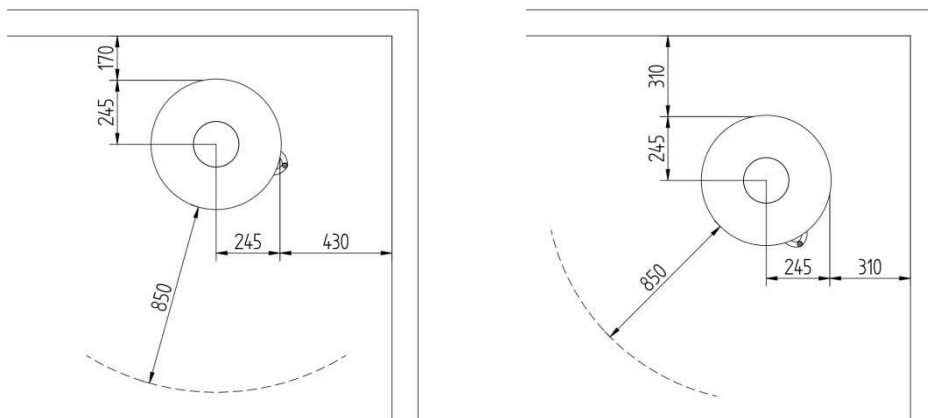
Jydepejsen stoves are fitted with a radiation shield under the stove to protect the base space against heat radiation. As the product has integrated floor protection, you may place it directly on a flammable bedplate. Contact your local building authorities if you have any concerns or questions.

Floor plate

If the stove is mounted on a combustible floor, the floor in front of the stove must be protected by a floor plate as embers from the stove could land on the floor. The size of the floor plate depends on the laws and regulations in the country of installation. For example, a floor plate could be made of natural stone, concrete, sheet iron or glass. Lacquered sheet iron or glass floor plates may be purchased as accessories to these models.

The stove is suitable for use on a flue gas collector pipe.

See below for illustrations of wall and corner installations with and without insulated smoke pipes.





Installation distances from non-combustible walls.

We recommend a 50mm minimum distance to non-combustible materials for the sake of cleaning. The cleanout door should always be accessible.

3. Warranty

Jydepejsen warrants brand new wood-burning stoves for 5 years. The warranty covers:

- Production defects.
- Fire-penetration of the steel, assuming that the stove has been fired up correctly.

In case you have questions or require servicing during the warranty period, please contact your dealer who will assist you. Always inform the dealer of which model you have purchased as well as the serial number of your stove. The serial number is located on the data plate on the rear of the stove.

The following are not covered by the warranty:

- Transportation damages.
- Secondary damages resulting from the use of the stove.
- Damages resulting from incorrect use such as superheating. Such damages may be avoided by following the operating manual instructions.
- Glass, soapstone, sandstone and ceramics

If the chips are down and your stove needs repairing under the warranty, you must be able to present a dated and signed invoice stating the name of the dealer and the model. In case of repairs under the warranty, the parts and labor costs will be covered by Jydepejsen A/S. Other costs such as dismantling and remounting of the chimney will be covered by appointment with Jydepejsen A/S only.

The stove has parts that are subjected to inherent wear and tear. Such parts are not covered by the warranty and you will have to replace such parts over time. How often depends on the use of the stove.

The following parts on your stove are wearing parts:

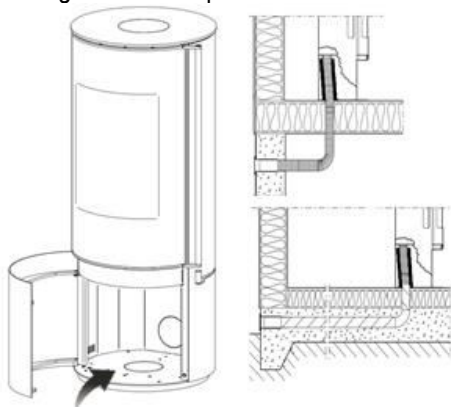
- Vermiculite plates
- Baffle plates
- Sealing bands

If these parts need replacing, you may order them from your dealer - please refer to the Maintenance section.

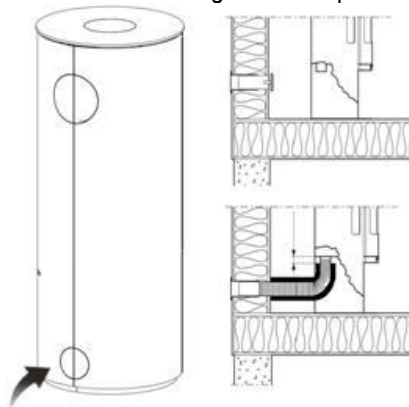
4. Supply of combustion air (optional)

When a wood-burning stove is installed in a room, the air supply requirements change. Air may be supplied indirectly via a valve in the outer wall or via an external canal by connecting a connecting piece to the bottom section of the stove. The connecting piece o.d. is \varnothing 100mm. The hot parts of the canal should be insulated against condensation, e.g. with 25mm mineral wool with a moisture barrier on the outer face. Installing the stove, you should use joint filler to seal the pipe / wall interface.

Through the bottom plate:



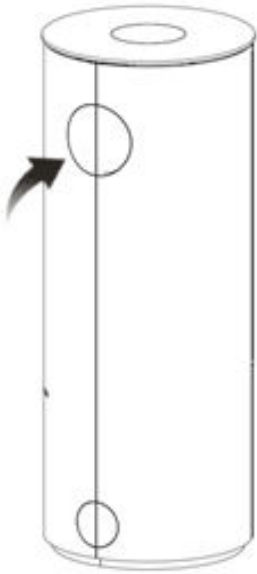
Through the back plate:



Use a hammer and/or screwdriver to remove the plug in the bottom plate / back plate.

5. Adjustment of chimney connection.

On delivery, the stove has been prepared for a top outlet but may be amended to use a rear outlet as follows:



Use a hammer and/or screwdriver to remove the plug in the back plate

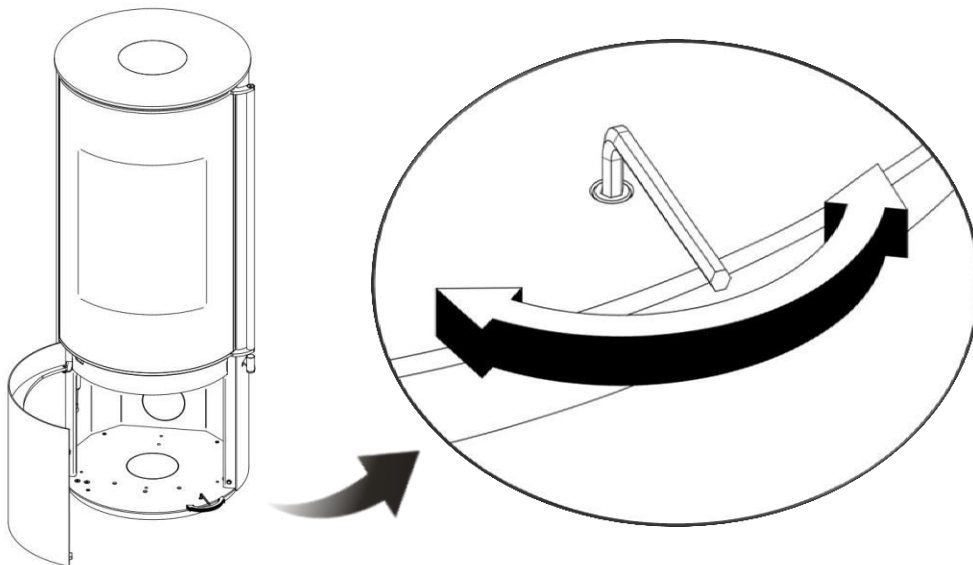


Loosen the 2 bolts securing the rear outlet plug
Loosen the 2 bolts securing the flue collar
Switch the flue collar and the rear outlet plug
Insert the top outlet cast iron plug.



Positioning of feet

1. Open the combustion chamber door
2. Adjust the feet using a 4-mm Allen key



7. Firing instructions

It is crucial to ensure optimal up-draft in the chimney, at least 12 Pa.. It is essential that the chimney and the wood-burning stove work together. In essence, the up-draft is affected by the length and area of the chimney but also its pressure tightness. The least recommended chimney length is 3.5m and the most suitable cross-sectional area is 150-200cm² (140-160mm in diameter). Your dealer or chimney sweep will be able to assist you with all chimney issues. If you have not used your chimney for a long time, it should be checked for blockages before use. In some cases, it will be relevant to install a damper device to control the up-draft in the stove.

The stove is designed and approved in accordance with EN13240 and NS 3058 for the combustion of split dry birchwood. The water content in the wood should be between 12% and 20%. Using wet wood results in tarry soot, environmental nuisances and a bad fuel economy. Recently felled wood has a water content of approx. 60 - 70% and is completely unfit for firing. Recently felled wood usually requires 1 year or more to dry. Regardless of its size, the wood should be split in order to have at least one bark-free surface.



Never use impregnated wood, painted wood, plastic laminate, plywood, chipboard, water, milk cartons, printed matter or similar as these may release toxic, corrosive or dangerous fumes when burned. Furthermore, they may produce the toxic gas, dioxin, which will damage your wood-burning stove and the environment. The use of such materials voids the warranty. **USE RECOMMENDED FUELS ONLY.**

Once this is settled, it is important that you get the stove and the chimney to work together. This may be achieved by following these instructions and use easily flammable fuel in the fire chamber until you have achieved a healthy up-draft.

Kindling and combustion problems often result from wet wood or up-draft failure in the chimney. In such cases, you should check if the passage through the flue is partially or fully blocked and if the baffle plates are positioned correctly. In case of superheating or chimney fire, shut off the air supply and monitor the status closely. Never use water to put out a chimney fire as this instantly produces steam (the water evaporation ratio is 1:1700) which could seriously damage the chimney due to the rapid pressure increase.

It is important that you know that the paint will harden the first few times you use your stove. This means that your stove will produce smoke and smell which will disappear after approx. 1 hour. Airing is recommended at this stage. Furthermore, you should not touch the stove until the paint has hardened as it might peel off.

Sheet iron wood-burning stoves may produce a crackling sound during the kindling and cooling stages. This is normal for sheet iron stoves and is not a defect.

DuplicAir®

The stove is fitted with a DuplicAir® air wheel - a customized air controlling system that regulates kindling and combustion air. DuplicAir® is operated by means of a handle on the front of the stove.

Use of DuplicAir®

The air wheel has the following settings and functions:

1. The handle in position 1 (fully to the back): both combustion air and kindling air are closed.
2. The handle in position 2: combustion air is 50% open.
3. The handle in position 3: combustion air is fully open.
4. The handle in position 4 (fully to the front): both combustion air and kindling air are fully open.

This setting may be used for a short while during kindling only.

Once the wood has caught fire, the handle should be placed in position 3 or less depending on the heat requirement.

The handle may also be placed between the settings. You should not turn it down so much that the fire dies. Flames should be visible in the fire chamber at all times.

Note! The stove and the chimney react differently in cold, respectively, warm weather and on windy, respectively, quiet days. Hence, you should adjust the air flow.

Start-up stage

1. Place the air wheel in position 4.
2. Place firelighters and kindling on the bottom of the fire chamber.
3. Place approx. 1.5kg kindling in the shape of a matchstick house.
4. Light the fire.
5. The door to the fire chamber should be left open for the first few minutes.
6. Once the wood has caught fire, move the handle to position 3 or less. Close the door.
7. Just how much closure is required depends of the up-draft in the chimney and the heat requirement.



DuplicAir® operating handle

Stoking

This wood-burning stove is intermittent, meaning that fresh wood is required for stoking once an adequate layer of embers has been achieved on the fire chamber floor. The heat requirement determines the amount of stoking, and the level of stoking depends of the season. In order to ensure optional combustion, use 3 0,7 kg. logs, approx.30 cm in length which are placed side by side on top of the embers from the kindling process. This will give you a combustion time of approx. 45 minutes.

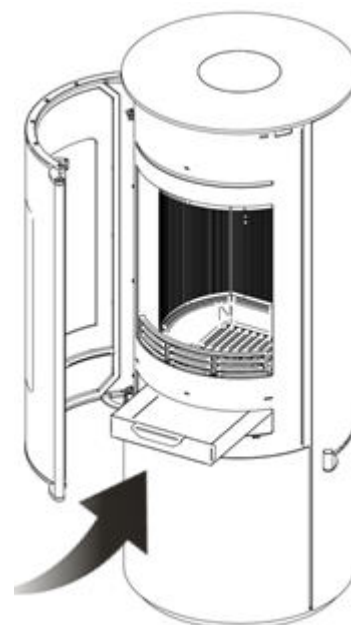


It is important to keep the door closed when flames are visible in the fire chamber to avoid smoke nuisances in the

1. Move the air wheel handle to position 4 (maximum air supply.)
2. To minimize the negative pressure, the door to the fire chamber should be ajar for about 1 minute before it is fully opened.
3. Open the door slowly.
4. Place 3 0,7 kg. logs (30 cm in length) next to each other on top of the embers.
5. Close the door again.
6. Once the wood has caught fire, the handle should be moved to position 3 or lower. You have achieved healthy combustion when the flame is steady and almost transparent.

Emptying the ash pan

Open the door and remove the ash pan from a cold stove. Use a closed steel container to store the ash and/or transport it and discard it in a secure manner. Note: embers may be hidden in the ash for several days.



8. The Clean Air Act and Smoke Control Areas

"The Clean Air Act 1993 and Smoke Control Areas"

Under the Clean Air Act local authorities may declare the whole or part of the district of the authority to be a smoke control area. It is an offence to emit smoke from a chimney of a building, from a furnace or from any fixed boiler if located in a designated smoke control area. It is also an offence to acquire an "unauthorised fuel" for use within a smoke control area unless it is used in an "exempt" appliance ("exempted" from the controls which generally apply in the smoke control area).

The Secretary of State for Environment, Food and Rural Affairs has powers under the Act to authorise smokeless fuels or exempt appliances for use in smoke control areas in England. In Scotland and Wales this power rests with Ministers in the devolved administrations for those countries. Separate legislation, the Clean Air (Northern Ireland) Order 1981, applies in Northern Ireland. Therefore it is a requirement that fuels burnt or obtained for use in smoke control areas have been "authorised" in Regulations and that appliances used to burn solid fuel in those areas (other than "authorised" fuels) have been exempted by an Order made and signed by the Secretary of State or Minister in the devolved administrations.

*Further information on the requirements of the Clean Air Act can be found here:
<https://www.gov.uk/smoke-control-area-rules>*

Your local authority is responsible for implementing the Clean Air Act 1993 including designation and supervision of smoke control areas and you can contact them for details of Clean Air Act requirements"

Omega UK, Omega High UK, Omega Chef UK and Omega Core UK has been recommended as suitable for use in smoke control areas when burning wood logs.

Refuelling on to a low fire bed

If there is insufficient burning material in the firebed to light a new fuel charge, excessive smoke emission can occur. Refuelling must be carried out onto a sufficient quantity of glowing embers and ash that the new fuel charge will ignite in a reasonable period. If there are too few embers in the fire bed, add suitable kindling to prevent excessive smoke

Fuel overloading

The maximum amount of fuel specified in this manual should not be exceeded, overloading can cause excess smoke. The following text may be required depending on appliance operation and instructions:

Operation with door left open

Operation with the door open can cause excess smoke. The appliance must not be operated with the appliance door left open except as directed in the instructions.

Dampers left open

Operation with the air controls or appliance dampers open can cause excess smoke. The appliance must not be operated with air controls or appliance dampers left open except as directed in the instructions.

Air regulation

The stoves air regulation is retrofitted with a kit from the factory, to meet the demands for smoke controlled areas.

9. Maintenance

Sealing bands and vermiculite plates are wearing parts and should be replaced as needed. How often depends of the use of the stove - some stove owners have to change the parts every year whereas others replace them every two or three years. Sealing bands should be replaced when flat and the front door is no longer tight. New sealing bands with glue may be ordered from your wood-burning stove dealer.

The vermiculite plates should be replaced when they appear worn or have deep scratches revealing the fire chamber steel. Worn vermiculite plates should be replaced in time as they will otherwise loose their heat reflection and insulation properties. Movable and mechanical parts should be greased with a heat-resistant lubricant at least every year (locking mechanism, hinges, etc.)

The stove and the chimney should be checked regularly by a qualified professional to ensure the optimal function of the stove. It is illegal to make unauthorized changes to wood-burning stoves and doing so will void the warranty and the test results.

Replacement of door sealing band

1. Remove the sealing band from the inner frame of the door and clean the band groove. (Do not dismount the door.)
2. Apply fireproof glue to the groove where the old sealing band was seated.
3. Press the new sealing band into the groove.
4. Close the door and let the glue harden for 24 hours before opening the door again. Insufficiently hardened glue could result in the sealing band falling out.

Replacement of window sealing band

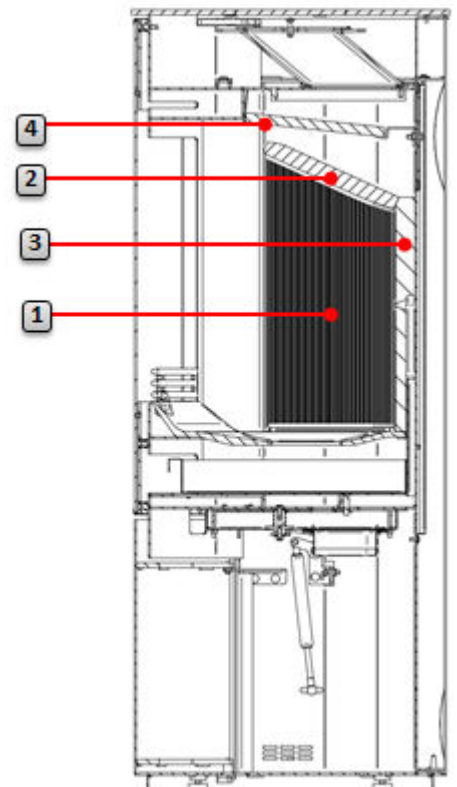
1. Remove the top and bottom glazing beads
2. Remove the window.
3. Remove the old sealing band.
4. Mount the new sealing band on the door.

Re-mount the window by following this procedure in the reverse order.

Replacement of vermiculite plates

1. Remove the side plates
2. Remove the smoke fan plate
3. Remove the back plate
4. Remove the upper smoke fan plate.

Re-mount the plate by following this procedure in the reverse order.



10. Combustion issues.

Combustion issues may be caused by non-optimal combustion conditions. Follow the instructions below to resolve such issues:

Issue	Explanation	Correction
No up-draft	<ul style="list-style-type: none"> - The flue gas damper in the smoke pipe is closed. - Cleaning door in chimney is defective or missing. - A bird's nest or similar is blocking the chimney. - Smoke pipe sooting or soot accumulation on top of the baffle plate. - The chimney is too small. - Incorrectly fitted baffle plate. - Negative pressure in the home. 	<ul style="list-style-type: none"> - Open the flue gas damper. - Contact your chimney sweep / wood-burning stove dealer for further instructions or clean the smoke pipe and fire chamber. - Check the baffle plate - please refer to the operating manual. - Negative pressure may occur in well-insulated buildings - increase the air flow to the room.
Too much up-draft	<ul style="list-style-type: none"> - Incorrectly fitted baffle plate. - If you are using kiln dried wood, less air supply is required than for normal wood. - DuplicAir® is permanently fully open. - The door sealing bands are worn and flat. - The chimney is too large. 	<ul style="list-style-type: none"> - Check the baffle plate - please refer to the operating manual. - Reduce the supply of air. - Check the sealing bands. Worn sealing bands should be replaced as described in the operating manual. - Contact your chimney sweep / wood-burning stove dealer for further guidance.
The glass windows blacken	<ul style="list-style-type: none"> - Too much water in the wood. - Air supply not sufficiently open. 	<ul style="list-style-type: none"> - Use dry wood with max 20% humidity only. - Open DuplicAir® to feed more air to the combustion process.
White glass	<ul style="list-style-type: none"> - Insufficient combustion (temperature in fire chamber is too low.) - Incorrect wood firing (use of cull, painted wood, impregnated wood, plastic laminate, plywood, etc.) 	<ul style="list-style-type: none"> - Follow the instructions for correct firing as described in this manual. - Make sure you use clean and dry wood in your stove.
Smoke fills the room when the door is opened	<ul style="list-style-type: none"> - Pressure equalization occurs in the fire chamber. - The chimney and the wood-burning stove are not cooperating. - The door is opened with a fire in the fire chamber. 	<ul style="list-style-type: none"> - Open the air supply completely for about 1 minute before opening the door - avoid opening the door too quickly. - Check the height of the chimney as this may be insufficient to provide the minimum up-draft required for this stove. - Never open the door when you see flames, only embers.
White smoke	<ul style="list-style-type: none"> - The combustion temperature is too low. - The wood is too damp and contains water vapor. 	<ul style="list-style-type: none"> - Increase the air supply. - Make sure you always use clean and dry wood in your stove.
Black or greyish smoke	<ul style="list-style-type: none"> - Incomplete combustion 	<ul style="list-style-type: none"> - Increase the air supply.

11. Cleaning

In general

Generally, Jydepejsen wood-burning stoves are maintained in the same way as you would other furniture, i.e. using a dust cloth and a solvent-free mild soap solution. Following cleaning, wipe the stove with a dry cloth. The painted surfaces of the stove may be carefully re-painted with spray paint, type Senotherm 12-1644, charcoal grey or grey depending of the color of the stove. This spray paint may be purchased from your wood-burning stove dealer.

Glass

ONLY Clean glass with cleaner designed and suitable for stove glass. Other types of cleaner can damage the coating of the glass. For more information, inquire your distributor.

Ceramics

It is simple to maintain ceramics from Jydepejsen. Usually, it suffices to wipe the tiles with a damp cloth. Use a mild soap solution in case of heavier soiling. Ceramic tiles are intolerant of strong acids and lye like most other natural products. Consequently, you should avoid using strong detergents. With correct and careful maintenance, your ceramic tiles will radiate heat and character for many years.

Soapstone

It is very simple to clean soapstone. Usually, it suffices to wipe soapstone with a damp cloth wrung in lukewarm water. Avoid all types of detergent. Minor scratches may be repaired using very fine sandpaper with a grit size of 240. Contact your dealer if a soapstone tile needs repairing.

Brown discoloration occurs when soapstone is heated to over 500°C. In such cases, the soapstone has been superheated which is not covered by the warranty. If you maintain the soapstone facing on your stove correctly, it will keep its beautiful character for many years.

Inside

You should remove the ash from the stove regularly. However, we recommend leaving a layer on the bottom as this contributes to insulating the fire chamber. Your stove should be thoroughly checked and cleaned at least once in the firing season.

Cleaning instructions

You should remove the baffle plate(s) prior to sweeping the stove. This allows loose soot from the chimney to fall into the fire chamber. Use this manual to determine if your stove has one or two baffle plates and how to remove it/them. You should close the air supply to prevent soot and ash from entering the room. Following sweeping, remove ash and soot from the vermiculite support in the fire chamber. Then re-fit the baffle plate(s).

12. Spare parts overview

	Item No.
Vermiculite set (incl. top baffle plate)	56900240
Door window	57400030
Cast iron bottom	57400025
Ash container	56900002
Gasket set	44300150
Gasket for DuplicAir® air wheel	57400026