

Traditionally outstanding stoves...



defra Smoke Exempt
Appliance
approved
for Smoke Control Areas

The Baby Gabriel[®]

HF217-SE 4.6kW

The Baby Gabriel.[®] Clearly a better burning stove...

At 4.6kW output, the Baby Gabriel is the hot favourite for home owners looking for a traditional cast iron stove that's not only practical and economical to run, but also represents truly outstanding value. The new clean burning Baby Gabriel[®] is a compact version of one of Britain and Ireland's most popular cast iron stoves.

It is approved and officially listed by Defra as a smoke exempt appliance so that you can burn wood legally in a UK smoke control area.

Compact, yet powerful

Being little makes the Baby Gabriel the ideal solution for the smaller room. A great answer too for today's well insulated home where a little heat goes a long way.

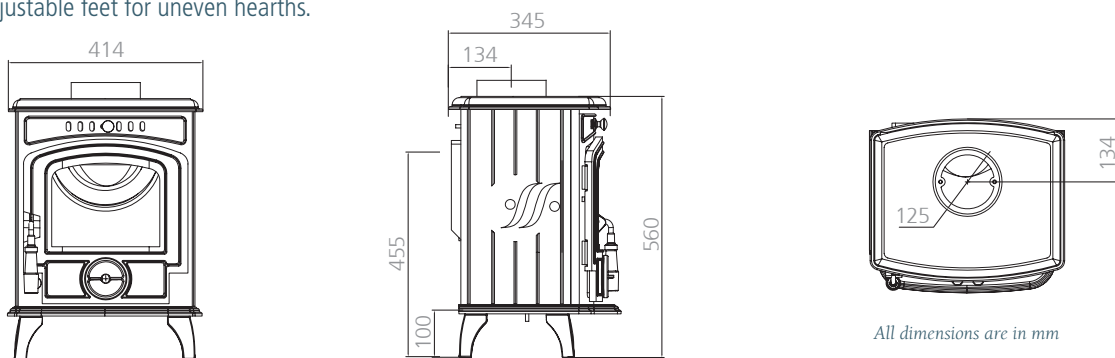
Although small, the Baby Gabriel packs a real punch in delivering heat, whatever the application and on the coldest of days.

Outstanding features

Grown up features include an externally operated riddle grate, a superior airwash system to keep the glass crystal clear throughout virtually any type of burn cycle and four adjustable feet for uneven hearths.



● Black enamel option available



Long Life Premium Build Quality

UK designed and CE tested, with superior F-type castings as well as premium quality components (from companies such as Forest Paint of USA and Schott Glass of Germany) ensures that your Baby Gabriel stove will not only exceed your expectations but will also continue to provide you with many years of pleasurable heat.

Five Year Warranty

Each Baby Gabriel is individually inspected to ensure it passes Olymberyl's strict QA criteria and is covered under Olymberyl's 5 Year Guarantee.

Olymberyl operates a policy of continuous product improvement and therefore we reserve the right to amend products and specifications without prior notice.

CPR Declaration of Performance

Data based on CE EN13240 Tests by Kiwa Gastec in UK

Nominal output.....	4.6kW
Mean efficiency - wood	75%
Mean CO emissions	0.25%
Rear or top flue outlet (mm)	125
Log length (mm).....	250
Stove net weight (kg)	83
Overall dimensions (mm)	H560 W414 D345
Height to centre of rear flue (mm).....	455
From centre of top flue to back (mm).....	134
Clearance to combustible materials (mm).....	Top 800 Sides 350 Rear 450
Clearance to non-combustible materials (mm) ..	Top 300 Sides 150 Rear 100

Name	Model	kW Room	RRP Matt Black
Baby Gabriel	HF217-SE	4.6	£495